

❖ QUICK REFERENCE GUIDE

HSIUS



HSHW



HSHW-ST



HSTC-ST



HSD



HSD-ST

GENERAL INFORMATION

Project Name: _____
Item: _____
Quantity: _____
Model: HSIUS
Length: _____

GENERAL SPECIFICATION

Materials

- 14-Gauge Brushed Finish Type 304 Stainless Utility Sink Top, Tub and Front Splash Panel
- 18-Gauge Brushed Finish Type 304 Stainless Hand Sink and Body Panels
- 4" Diameter Brasket Drains
- 1/8" x 1" Stainless Flat Bar and 1/2" Round Stainless Utility Sink Grate

Construction

- NSF Standard 2 Construction
- Fully Welded Covered Corner Sinks
- Marine Edge Around Utility Sink Top
- Removable Plumbing Side Access Panels

MATERIAL OPTIONS

- All 14-Gauge Brushed Finish Stainless
- Type 316 Stainless

SINK FAUCET OPTIONS

- Fischer #3110 Single Deck Dual Control Faucet with 6" Swing Spout
- Infrared Faucet

UTILITY SINK FAUCET OPTIONS

- Fischer #3710 Single Deck Dual Control Faucet with 6" Swing Spout
- Fischer #2740 Pot Filler with Swivel Hose Adapter and Vacuum Breaker

OTHER OPTIONS

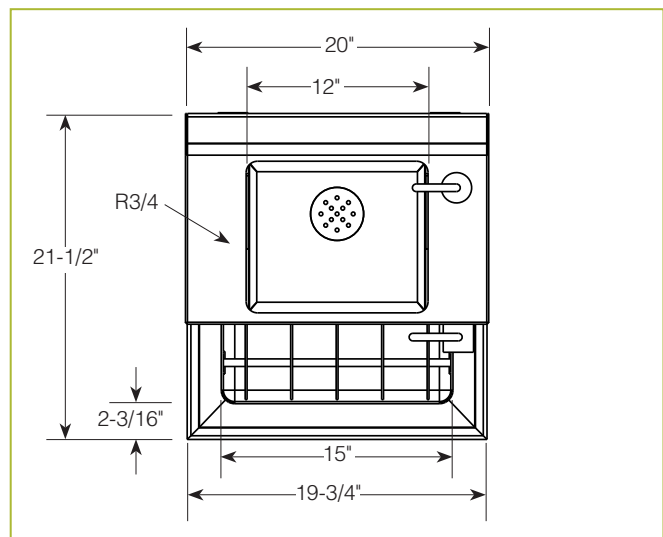
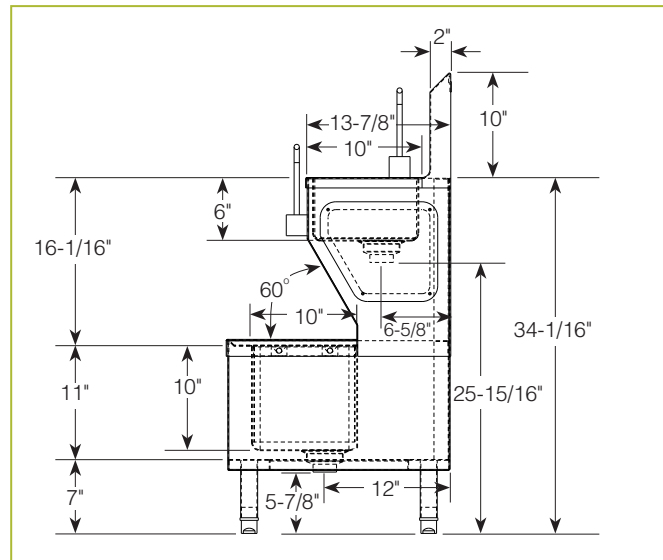
- All 14-Gauge Brushed Finish Stainless Curb Base
- 18-Gauge Brushed Finish Type 304 Stainless Strainer

This unit can be plumbed in the field to a floor drain if available or to a 1-1/2" drain pipe. 1/2" MPT for cold water connection only with less than 45 psi.

* Approval Drawings Required

HSIUS

Hand Sink with Integral Utility Sink



GENERAL INFORMATION

Project Name: _____
Item: _____
Quantity: _____
Model: _____ HSHW _____
Length: _____

GENERAL SPECIFICATION

Materials

- 14-Gauge Brushed Finish Type 304 Stainless Hand Sink and 18-Gauge Body Panels
- Mini Basket Drain
- 2-1/2" Gallon Self-Contained 1,500-Watt Hot Water Heater
- Power 120V/15A Duplex Receptacle Required

Construction

- NSF Standard 2 Construction
- Fully Welded Coved Corner Sinks
- Marine Edge Around Sink Top
- Removable Front for Plumbing Access
- 28" Height for ADA Compliance when Mounted 6" off of Floor
- Designed to be Wall Mounted
- Open Back Design
- Cutout in Bottom for Floor Drain Access

MATERIAL OPTIONS

- All 14-Gauge Brushed Finish Stainless
- Type 316 Stainless

SINK FAUCET OPTIONS

- Single Deck Dual Control Faucet with 6" Swing Spout
- Infrared Faucet Battery (DC) Operated
- Transformer for Infrared Faucet (AC) Operated

OTHER OPTIONS

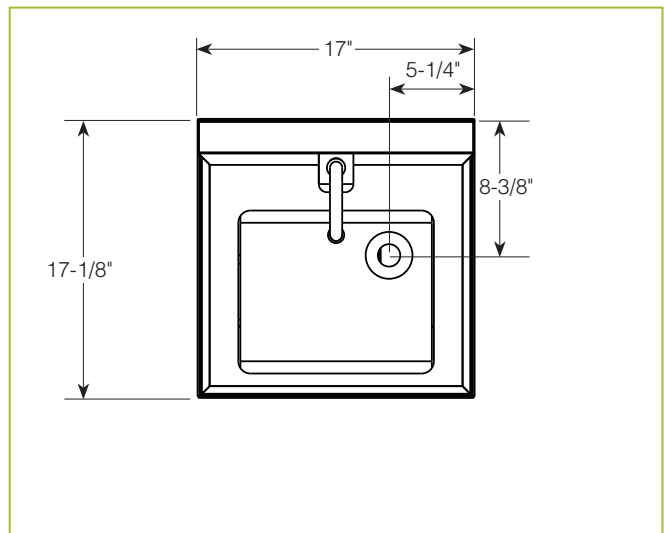
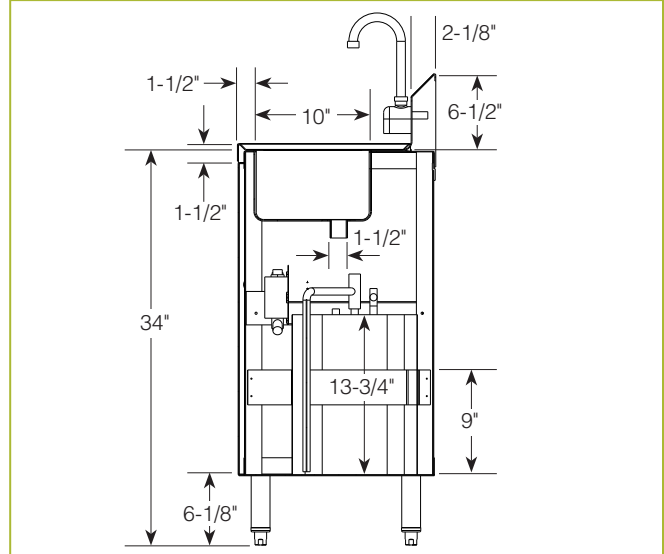
- All 14-Gauge Brushed Finish Stainless Curb Base
- 6" Stainless Legs

This unit can be plumbed in the field to a floor drain if available or to a 1-1/2" drain pipe. 1/2" MPT for cold water connection only with less than 45 psi.

* Approval Drawings Required

HSHW

Hand Sink with Hot Water Heater



GENERAL INFORMATION

Project Name: _____
Item: _____
Quantity: _____
Model: _____ HSHW-ST _____
Length: _____

GENERAL SPECIFICATION

Materials

- 14-Gauge Brushed Finish Type 304 Stainless Hand Sink and 18-Gauge Body Panels
- Mini Basket Drain
- 2-1/2" Gallon Self-Contained 1,500-Watt Hot Water Heater
- Power 120V/15A Duplex Receptacle Required

Construction

- NSF Standard 2 Construction
- Fully Welded Covered Corner Sinks
- Marine Edge Around Sink Top
- Removable Front for Plumbing Access
- 28" Height for ADA Compliance when Mounted 6" off of Floor
- Designed to be Wall Mounted
- Open Back Design
- Cutout in Bottom for Floor Drain Access

MATERIAL OPTIONS

- All 14-Gauge Brushed Finish Stainless
- Type 316 Stainless

SINK FAUCET OPTIONS

- Single Deck Dual Control Faucet with 6" Swing Spout
- Infrared Faucet Battery (DC) Operated
- Transformer for Infrared Faucet (AC) Operated

OTHER OPTIONS

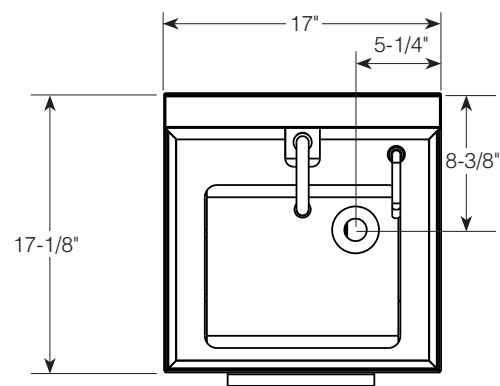
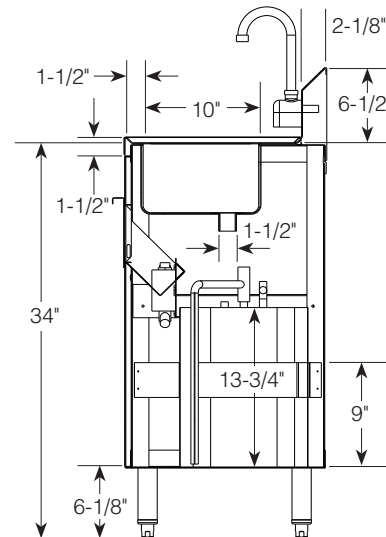
- All 14-Gauge Brushed Finish Stainless Curb Base
- 6" Stainless Legs

This unit can be plumbed in the field to a floor drain if available or to a 1-1/2" drain pipe. 1/2" MPT for cold water connection only with less than 45 psi.

* Approval Drawings Required

HSHW-ST

Hand Sink with Hot Water Heater, Soap and Towel Dispenser - Wall Mounted



GENERAL INFORMATION

Project Name: _____
 Item: _____
 Quantity: _____
 Model: _____ HSTC-ST
 Length: _____

GENERAL SPECIFICATION

Materials

- 14-Gauge Brushed Finish Type 304 Stainless Hand Sink, 18-Gauge Body Panels and 7 Gallon Trash Can
- Mini Basket Drain

Construction

- NSF Standard 2 Construction
- Fully Welded Covered Corner Sinks
- Marine Edge Around Utility Sink Top
- Removable Front for Plumbing Access
- 28" Height for ADA Compliance when Mounted 6" off of Floor
- Designed to be Wall Mounted
- Trash Can is Removable for Cleaning and Plumbing Access

MATERIAL OPTIONS

- All 14-Gauge Brushed Finish Stainless
- Type 316 Stainless

SINK FAUCET OPTIONS

- Fischer #3110 Single Deck Dual Control Faucet with 6" Swing Spout
- Infrared Faucet

OTHER OPTIONS

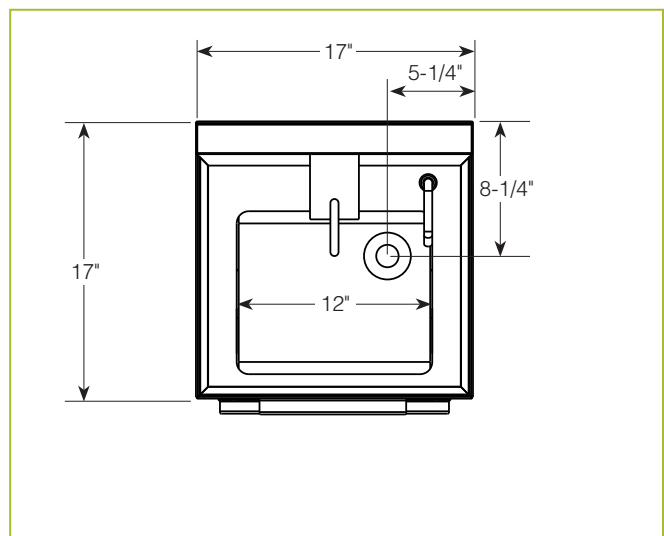
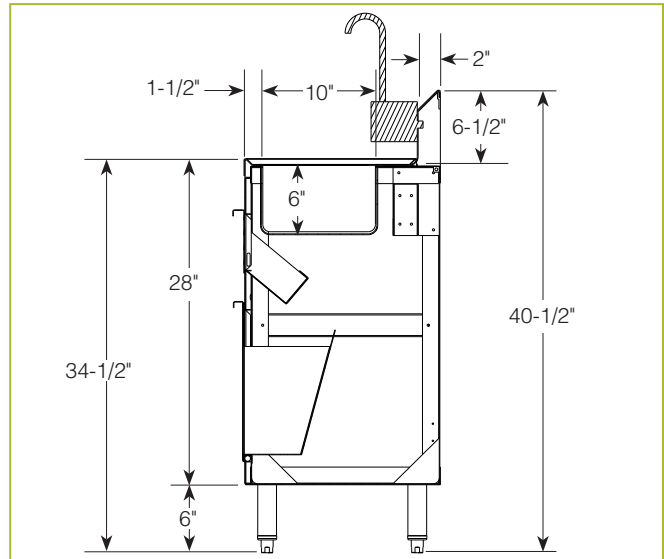
- All 14-Gauge Brushed Finish Stainless Curb Base
- 6" Stainless Legs

This unit can be plumbed in the field to a floor drain if available or to a 1-1/2" drain pipe. 1/2" MPT for cold water connection only with less than 45 psi.

* Approval Drawings Required

HSTC-ST

Hand Sink with Trash Can and Soap and Towel Dispenser



GENERAL INFORMATION

Project Name: _____
 Item: _____
 Quantity: _____
 Model: _____ HSD
 Length: _____

DESCRIPTION

Meet the latest health department requirements with minimal impact on space requirements. The BSI HSD allows hand sinks to be spaced closely throughout prep areas and server counters without consuming valuable counter-top space. The HSD module is designed to be easily integrated into new fabrication or retro-fitted into existing equipment.

GENERAL SPECIFICATION

Materials

- 16-Gauge Brushed Finish Type 304 Stainless Utility Sink Top, Tub and Front Splash Panel
- 18-Gauge Brushed Finish Type 304 Stainless Hand Sink and Body Panels

Construction

- NSF Standard 2 Construction
- Fully Welded Covered Corner Sinks
- 3/4" Mounting Flange with Stud Holes every 4"

SINK FAUCET OPTIONS

- Infrared Faucet
- Single Deck Dual Control Faucet with 6" Swing Spout
- Customer Supplied Faucet
 Make _____ Model _____

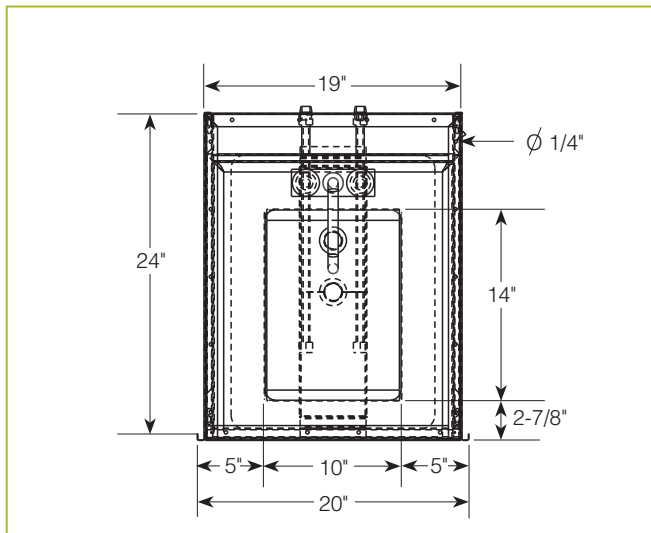
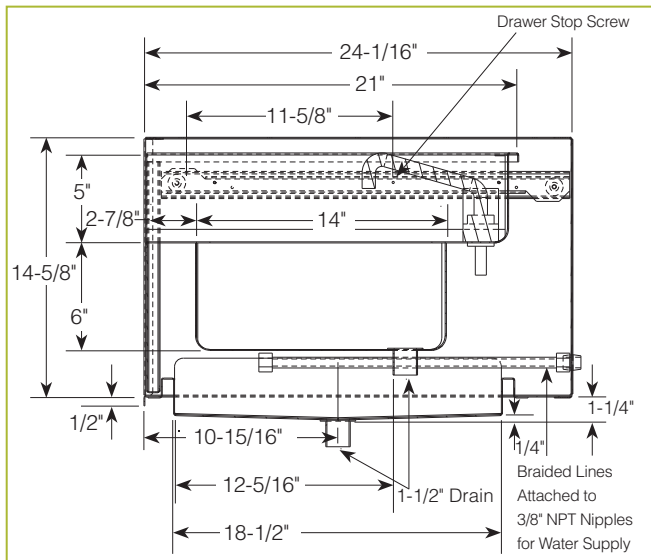
This unit can be plumbed in the field to a floor drain if available or to a 1-1/2" drain pipe. 1/2" MPT for cold water connection only with less than 45 psi.

* Approval Drawings Required

Specifications subject to change without notice.

HSD

Hand Sink Drawer



GENERAL INFORMATION

Project Name: _____
Item: _____
Quantity: _____
Model: HSD-ST
Length: _____

DESCRIPTION

Meet the latest health department requirements with minimal impact on space requirements. The BSI HSD-ST allows hand sinks to be spaced closely throughout prep areas and servery counters without consuming valuable counter-top space. The HSD-ST module is designed to be easily integrated into new fabrication or retro-fitted into existing equipment.

GENERAL SPECIFICATION

Materials

- 16-Gauge Brushed Finish Type 304 Stainless Hand Sink
- 18-Gauge Brushed Finish Type 304 Stainless Enclosures
- 14-Gauge Stainless Heavy-Duty Roller Bearing Drawer Slides
- Flexible Hoses Plumbed to Hard Points for Final Plumbing Connection
- Soap Dispenser

Construction

- NSF Standard 2 Construction
- Fully Welded Sink and Seamless Top
- Tilt-Out Towel Compartment
- 3/4" Mounting Flange with Stud Holes every 4"

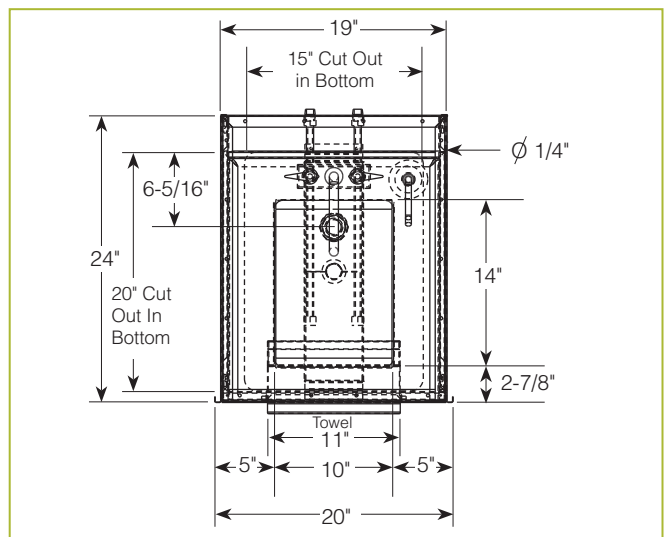
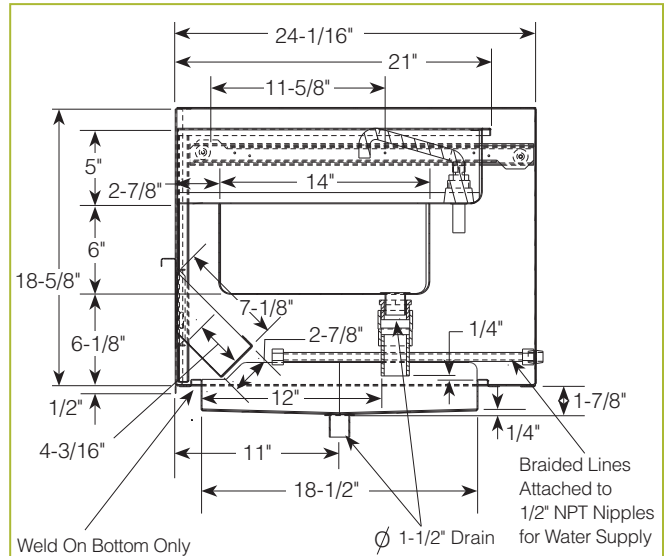
SINK FAUCET OPTIONS

- Infrared Faucet
- Single Deck Dual Control Faucet with 6" Swing Spout
- Customer Supplied Faucet
 Make _____ Model _____

This unit can be plumbed in the field to a floor drain if available or to a 1-1/2" drain pipe. 1/2" MPT for cold water connection only with less than 45 psi.

HSD-ST

Hand Sink Drawer with Soap and Towel Dispenser



* Approval Drawings Required

Specifications subject to change without notice.